

Vibromak[®]

Surface finishing
technologies.



LINEAR VIBRATORY MACHINES VKT SERIES

Vibromak finishing Tub machines can be used for a wide range of processes and applications. They are mostly used for the processing of delicate geometry, long, heavy or bulky parts. Vibromak finishing Tub machines are very cost-effective finishing machines. Quality you expect, at the price you don't. Priced to grow your profit without compromising quality.



FOR MORE INFO
PLEASE CONTACT
branko@massfin.ca
1(519)739-0733

Test Lab Address: 4325 County Rd. 42, Windsor, Ontario, N9A 6J3

WWW.MASSFIN.CA

www.massfin.ca



Additional Accesories:

- Pneumatic Sound Cover
- Divider with Rail System
- Frequency Control
- Dossage Pump
- Magnetic Valve
- Control Panel Base
- Rinsing Pipe (Different Types)

Vibromak finishing Tub machines are excellent choice for all vibratory finishing objectives, such as: deburring, surface smoothing, polishing, edge radiusing and pressure deburring of the machined parts, 3D parts, forging, stamping, casting etc. parts and components. Tub machines are used for the single part processing. Multiple parts processing is possible with built-in movable dividers.



VKTO Type Machine



Rinsing Pipe



Electrical Control Panel



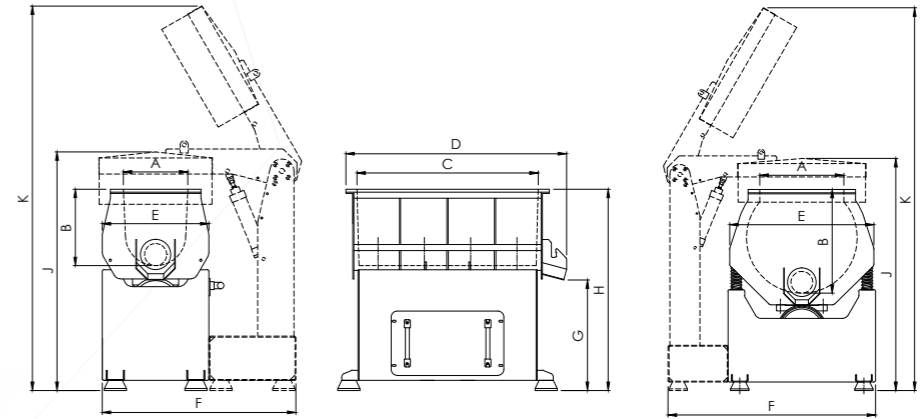
Media Unload Gate



Dirty Water Discharge Valve

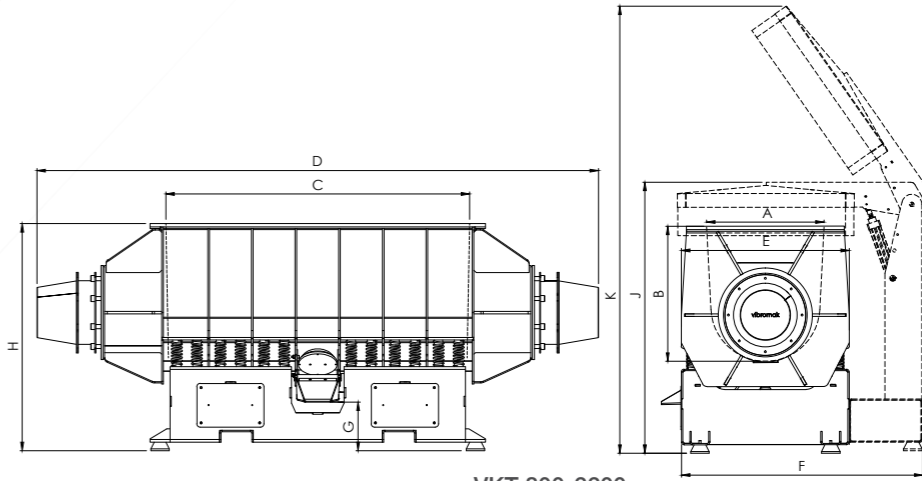


Divider



VKT 15-500

VKTO 450



VKT 800-2200

Technical Dimensions

TYPE		VKT 15	VKT 30	VKT 50	VKT 100	VKT 200	VKT 300	VKT 500	VKT 800	VKT 1000	VKT 1600	VKT 2200	VKTO 450
Gross Volume	Lt	16	32	49	96	204	305	502	792	1040	1596	2197	445
PU Thickness	mm	15-20	15-20	15-20	15-25	15-25	15-25	15-25	15-25	15-25	15-25	20-30	15-25
Engine Power	Kw	0,3	0,3	0,6	0,9	1,6	1,9	2,5	2 x 2,5	2 x 5	2 x 7	2 x 7	2,2
Voltage	V/Hz	380/50	380/50	380/50	380/50	380/50	380/50	380/50	380/50	380/50	380/50	380/50	380/50
Operating Speed	rpm	1500	1500	1500	1500	1500	1500	1500	1500	1500	1500	1500	1500
Weight	Kg	70	100	150	240	390	540	800	1200	1800	2100	2600	640
A	mm	180	250	260	320	400	440	600	700	740	880	1000	500
B	mm	200	320	320	380	510	550	620	800	850	1000	1100	620
C	mm	500	590	740	900	1100	1340	1550	1600	1800	2000	2200	1310
D	mm	630	710	940	1100	1300	1560	1800	2930	3350	3550	3800	1520
E	mm	360	440	450	530	630	720	860	960	1000	1150	1250	860
F	mm	--	625	800	970	1060	1100	1290	1350	1460	1620	1720	1250
G	mm	500	500	550	550	450	450	500	300	300	350	300	510
H	mm	800	880	900	1000	1000	1100	1180	1250	1350	1500	1550	1200
J	mm	--	850	1120	1210	1220	1320	1400	1470	1600	1770	1820	1400
K	mm	--	1300	1650	1870	1960	2080	2230	2425	2600	2880	3020	2300

All dimensions are millimeters.